



MILTECH™ 8P

A Rugged Tactical USB Charger

PRODUCT DESCRIPTION

Techaya MILTECH™ 8P is a Rugged Tactical 8 Ports USB Charger.

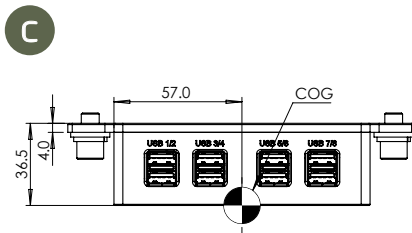
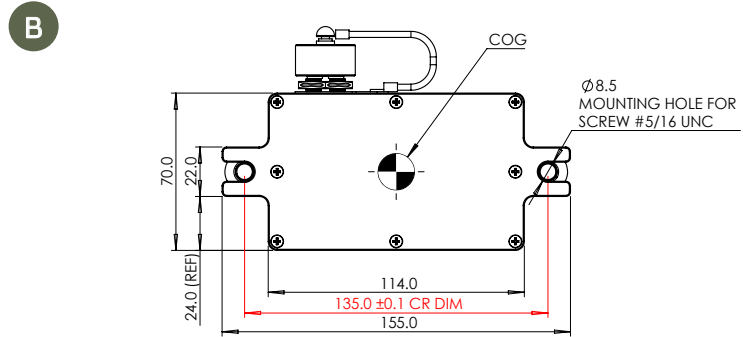
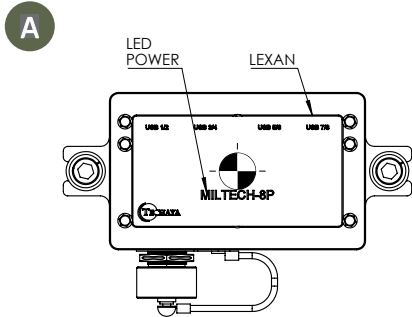
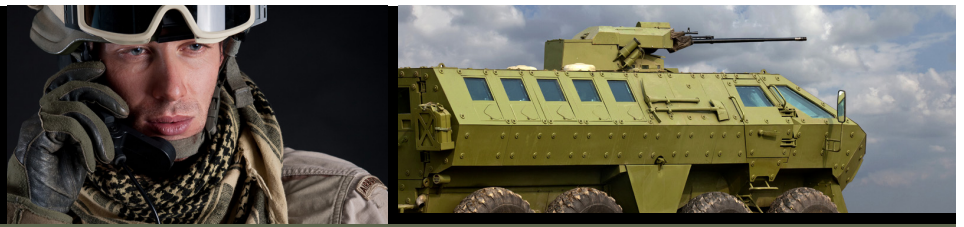
Due to the increase in use of USB based electronic devices such as Smart phones, Tablets, PDA's in many military applications, there is a constant need to charge these devices

in battlefield environments, such as ground combat vehicles, using standard charging cables.

The rugged MILTECH 8P mounted inside ground combat vehicles, can charge up to 8 USB based electronic devices simultaneously while providing 5Vdc, 2A per port.

SPECIFICATIONS	
CONNECTORS:	<ul style="list-style-type: none"> Power – D38999/24WA98PA USB Connector – UJ2-ADH-1-TH (Standard USB inlet)
CHASSIS:	<ul style="list-style-type: none"> Low profile rugged machined aluminum Conductively cooled Ingress protection against sand, dust Anodize Coating, MIL-A-8625, Type II, Class 2
VOLTAGE	<ul style="list-style-type: none"> 24Vdc Nominal (9-36Vdc) MIL-STD-1275 for power input Short circuit protection per port
PERFORMANCE:	<ul style="list-style-type: none"> Charging Capabilities: 2A/5V per port
POWER:	<ul style="list-style-type: none"> Power Consumption: 80W maximum at full load Chassis Grounding Power LED
PHYSICAL:	<ul style="list-style-type: none"> Dimensions: 114mm (L) x 95mm(W) x 36.5mm(H) including Power connector & dust cap Dimensions: 4.49”(L) x 3.74”(W) x 1.44”(H) including Power connector & dust cap Weight - 300g, including dust cap IP51 Design to meet MIL-STD-810 and MIL-STD-461
INSTALLATION:	<ul style="list-style-type: none"> 2 x Mounting hole for Screw # 5/16 UNC
COOLING:	<ul style="list-style-type: none"> No moving parts. Passive cooling
OPERATING TEMP:	<ul style="list-style-type: none"> -45°C to +85°C (-49°F to +185°F). Cold Start-Up
STORAGE TEMP:	<ul style="list-style-type: none"> -45°C to +85°C (-49°F to +185°F)





ORDERING INFORMATION

PART NUMBER	DESCRIPTION
1-8P-000	<ul style="list-style-type: none"> Tactical 8 ports USB charger

DISTRIBUTED EXCLUSIVELY IN THE USA BY: